

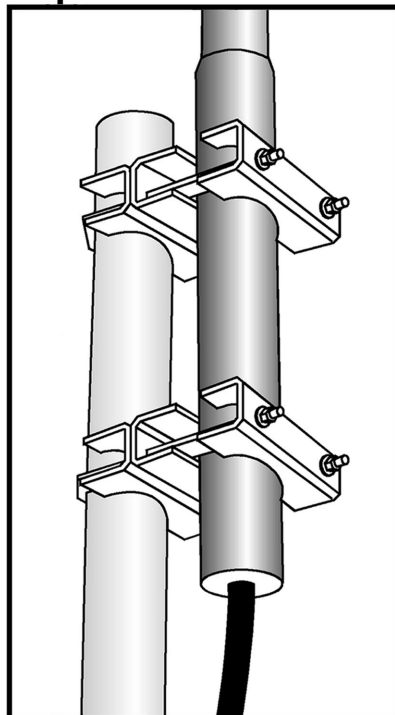
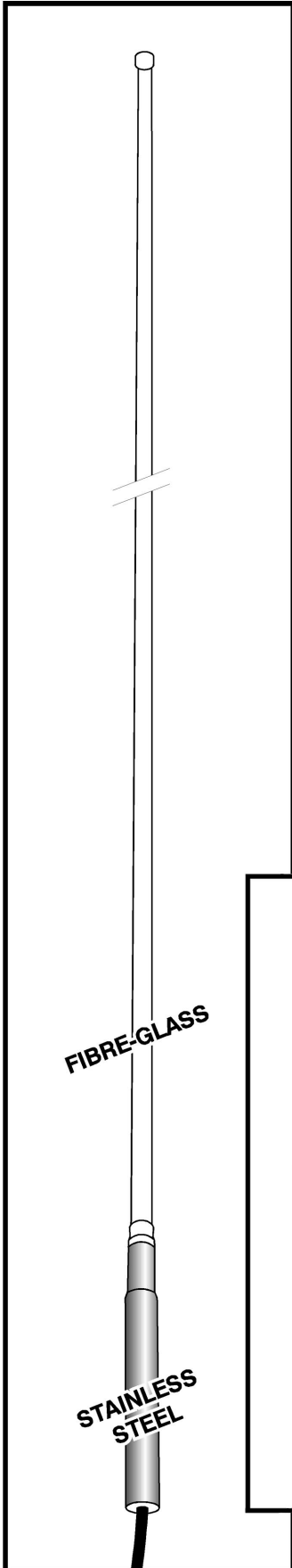
BEAMER

Base Station Antenna Omni-Directional Fibre-Glass

UHF

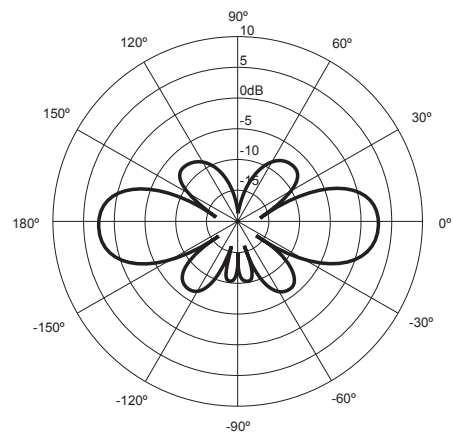
Model	Frequency
CLX-40/3 400420	400-420MHz
CLX-40/3 420440	420-440MHz
CLX-40/3 440460	440-460MHz
CLX-40/3 450470	450-470MHz
CLX-40/3 470490	470-490MHz

CLX-40/3 Series



Type	Dipole Colinear
Gain	3dBd
SWR in Bandwidth	<1.5:1
Impedance	50 ohm
Polarisation	Vertical
Power Rating	200 watt
Working Temperature	-30°C ~ +80°C
Wind Resistance	150km/h
Lightning Protection	DC Ground
Connector	N Female
Total Length	Approx. 1650mm
Weight	Approx. 1kg

VERTICAL RADIATION PATTERN



SWR CHART

